

motorsport range **CAR8949ZG**

6-piston radial mount caliper

Part numbers and handing

Mount hole spacing	Position	Part number
180mm	LH leading	CAR8949ZG32PELT
	RH trailing	CAR8949ZG32PERT
210mm	RH leading	CAR8949ZG33PELT
	LH trailing	CAR8949ZG33PERT



Replacement parts

Item	Large bore 1.50" (38.1mm)	Middle bore 1.375" (34.9mm)	Small bore 1.1875" (30.2mm)
Seals	SES3800X751	SES3500X751	SES3000X751
Pistons	PSV3833X252E	PSV3533X251E	PSV3033X251E
AKB Springs	SSC3435X609	SSC3435X609	SSC3435X623

Item	Part number
Bleed screw kit with o-rings (x4)	FSK3430X689
Abutment plate LH (x2)	ASC4489X559L
Abutment plate RH (x2)	ASC4489X559R
Abutment plate screw (x4)	BSB0080X199
H-bridge	RAC4489X690
H-bridge bolts (x2)	BSS4441X701
Bridge pipe	PSC4489X560

Applications

Trans-Am, GT1, Historic.

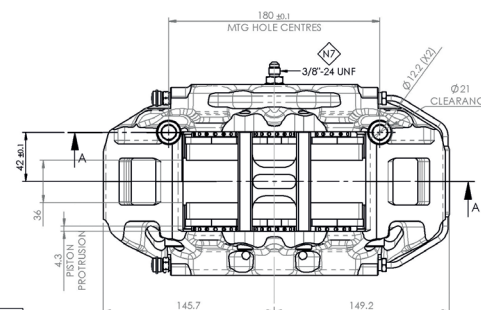
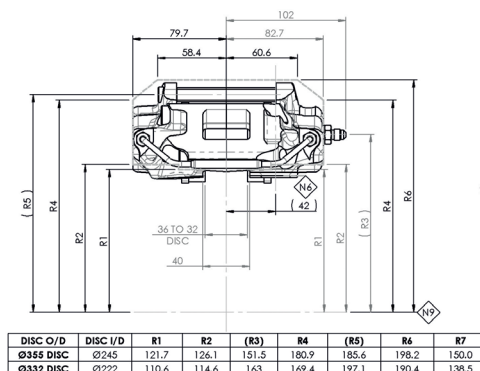
Key features and benefits

- Forged aerospace aluminum provides high strength and light weight.
- Design optimized to improve cooling.
- Differential piston diameters minimize pad taper.
- Ventilated stainless steel pistons with low friction coating.
- Hard steel wear plates.
- Bolted pad retainer to increase stiffness.

Specifications

- Rotor diameter range 13" - 14" (ø332 - 355mm).
- Rotor thickness range 1.25" - 1.42" (32 - 36mm).
- Fluid inlet 3/8" - 24 UNF (-3)
- Dry weight 6.62lb (3.00kg)
- Alcon pad reference: 4489, 20mm thick

Installation dimensions



Pro-System Brakes | Alcon Specialist Brakes & Clutches

Call: + 1 (704) 799 8100

Email: sales@prosystembrakes.com

Visit: www.ProSystemBrakes.com